



NORTHWEST CASCADE INC. septic tanks accessories



BRUZER CATALOG

Tanks with UV's
installed in the pump
chamber



1000 - 1200 gallon



Concrete and Plastic
Whitewaters



FAST Products
Access Lids and Ris-
ers
Pumps and Discharge
Assemblies
Floats and Float Tree

Knuckle Boom Truck available upon request



Toll Free 800-562-4442 or 253-848-2371 Fax 253-848-2399 or Visit our website
www.nwcascade.com

NORTHWEST CASCADE FLOHAWKS SEPTIC TANKS (BRUZER) / ACCESSORIES

TABLE OF CONTENT

		<u>PAGE</u>
Bruzer Overview		2
BZ2-1000	Bruzer 1000 Gallon Two Compartment Tank	3
BZP-1000	Bruzer 1000 Gallon Single Compartment Pump Tank	4
BZ1-1000	Bruzer 1000 Gallon Single Compartment Tank	5
BZ2-1200	Bruzer 1200 Gallon Two Compartment Tank	6
BZP-1200	Bruzer 1200 Gallon Single Compartment Pump Tank	7
BZ1-1200	Bruzer 1200 Gallon Single Compartment Tank	8
BZ2-1000GT	Bruzer 1000 Gallon Two Compartment – Grease Trap	9
BZ2-1200GT	Bruzer 1200 Gallon Two Compartment – Grease Trap	10
BZ2-1200F	Bruzer 1200 Gallon Two Compartment “Fast Tank” only	11
BZP-1000UV	Bruzer 1000 Gallon One Compartment Pump Tank	12
BZP-1200UV	Bruzer 1200 Gallon One Compartment Pump Tank	13
BZ2-1200N	Bruzer 1200 Gallon Two Compartment Nibbler Jr. Tank	14
BZ2-1200YST	Bruzer 1200 Gallon Two Compartment Yelm Step Tank	15
WW-500	Concrete 500 Gallon Whitewater Tank	16
CRZ1-380R	Cruzer 380 Gallon Single Compartment Tank	17
STD1-750	Standard 750 Gallon Single Compartment Tank	18
STD1-750S	Standard 750 Gallon Single Compartment Slope Bottom	19
STD1-750SC	Standard 750 Gallon Single Compartment Slope/Coated	20

NORTHWEST CASCADE-FLOHAWKS SEPTIC TANKS / ACCESSORIES

BRUZER TANK OVERVIEW

Most of the Tanks in this catalog are trade named **Bruzer**. The primary purpose of these tanks is for residential and small commercial applications. These tanks range from 380 to 1200 gallons capacity, come with one or two compartments, and may be used for many different applications such as primary septic, pump, trash, **Fast, UV, White Water**, grease traps, or **Nibbler Jr.** Tanks.

Bruzers, White Waters and Cruzers tanks have mono-poured bottoms and sides. Tank tops are sealed to the sidewalls with mastic for watertight performance. All Bruzers come with a 24-inch diameter riser adapter ring for PVC pipe. White Water tanks come with a 2-foot riser and lid. 4 inch PVC Baffles are installed in all tanks with pipe sticking out for easy hook up without mudding.

White Water tanks maximum burial depth is 2 feet. (No H-20 available)

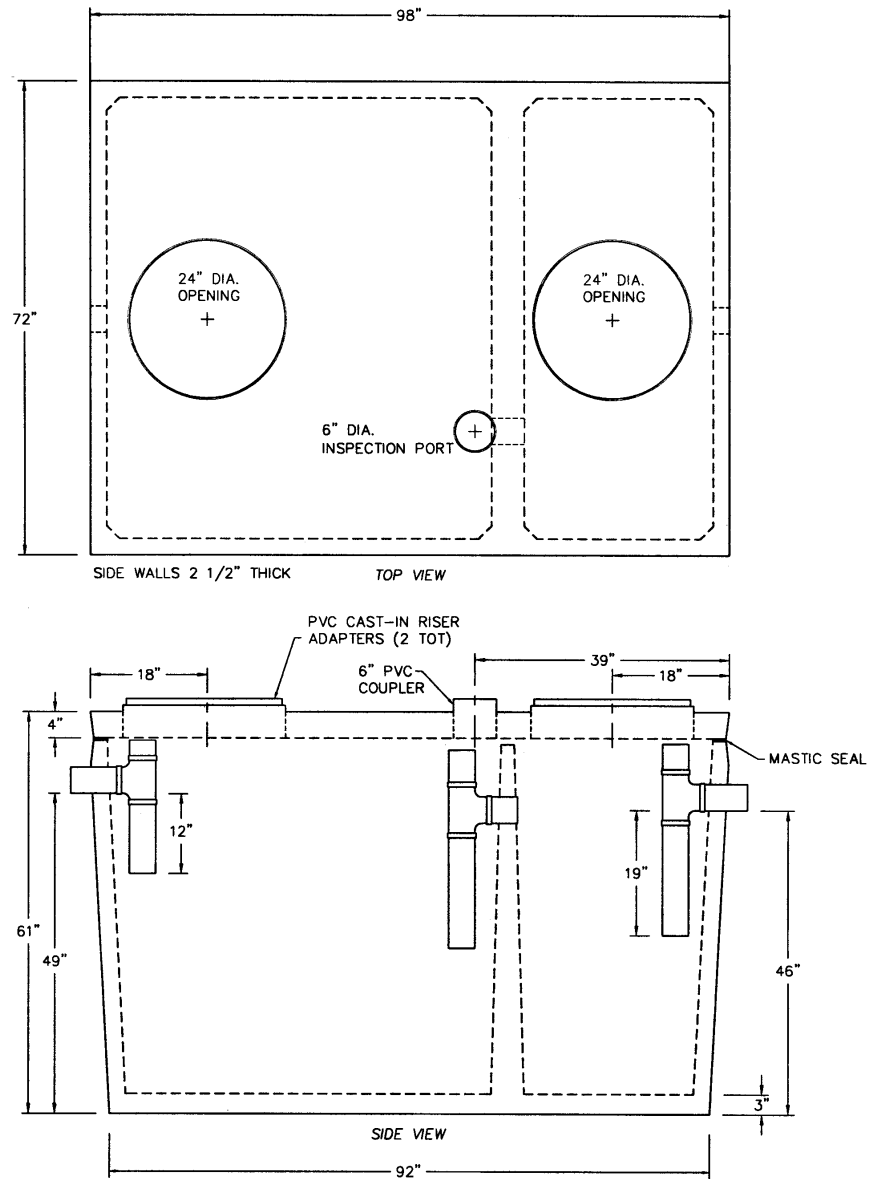
All other tanks may be installed up to 4 feet deep in standard soils.

All H-20 tanks (Traffic rated) must have a minimum of 12 inches of cover and not more than 8 feet of cover.

We encourage installers & designers to divert ground & surface water away from tanks to the extent possible. All tanks are approved water tight to top of mono-pour. Step tanks are guaranteed to top of riser adapters.

NORTHWEST CASCADE / FLOHAWKS SEPTIC TANKS

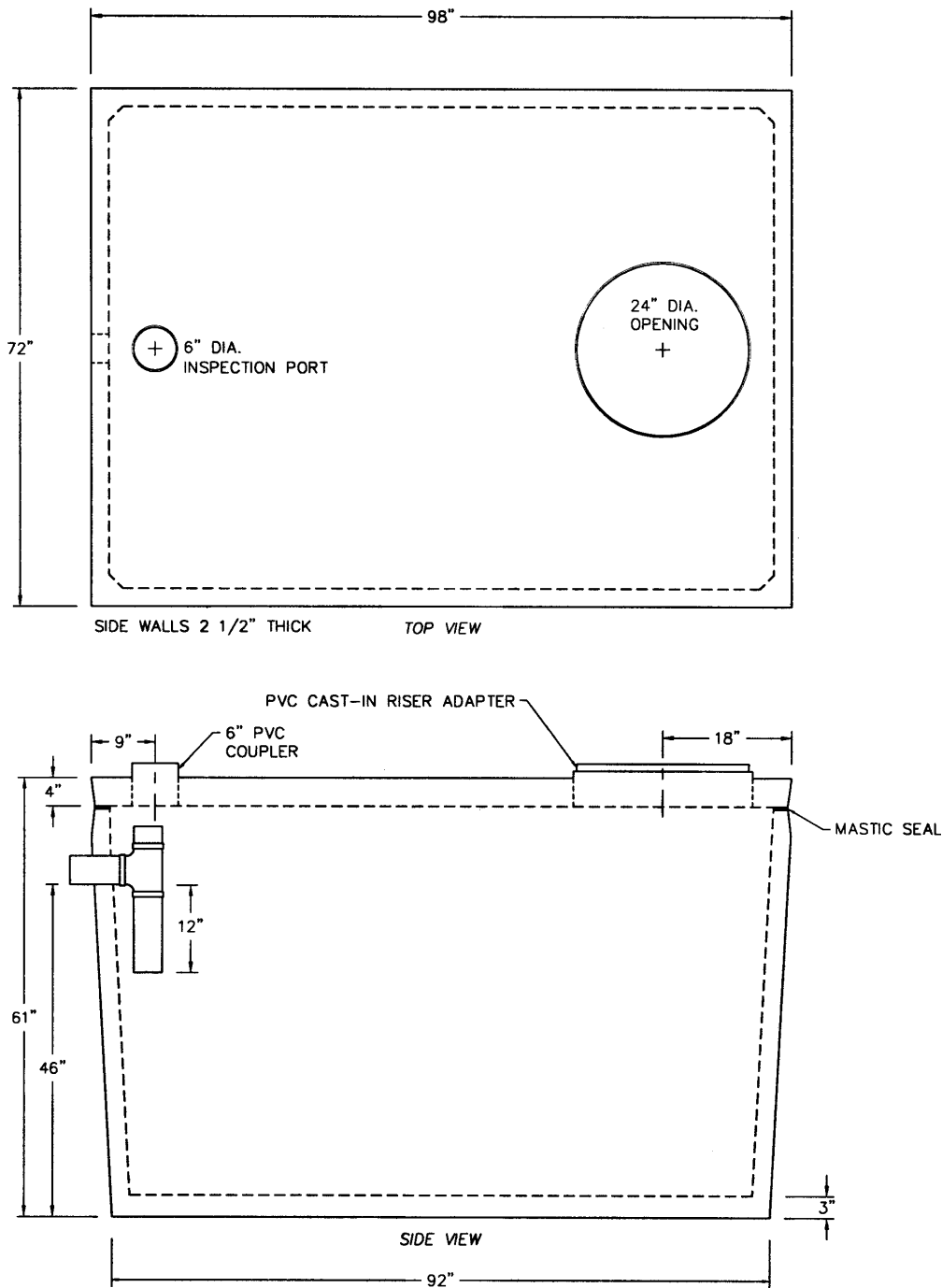
BZ2 - 1000 BRUZER 1000 GALLON TWO COMPARTMENT TANK



(NOTE: TANK TOP FOR H2O TYPE IS 6" THICK)

NORTHWEST CASCADE / FLOHAWKS SEPTIC TANKS

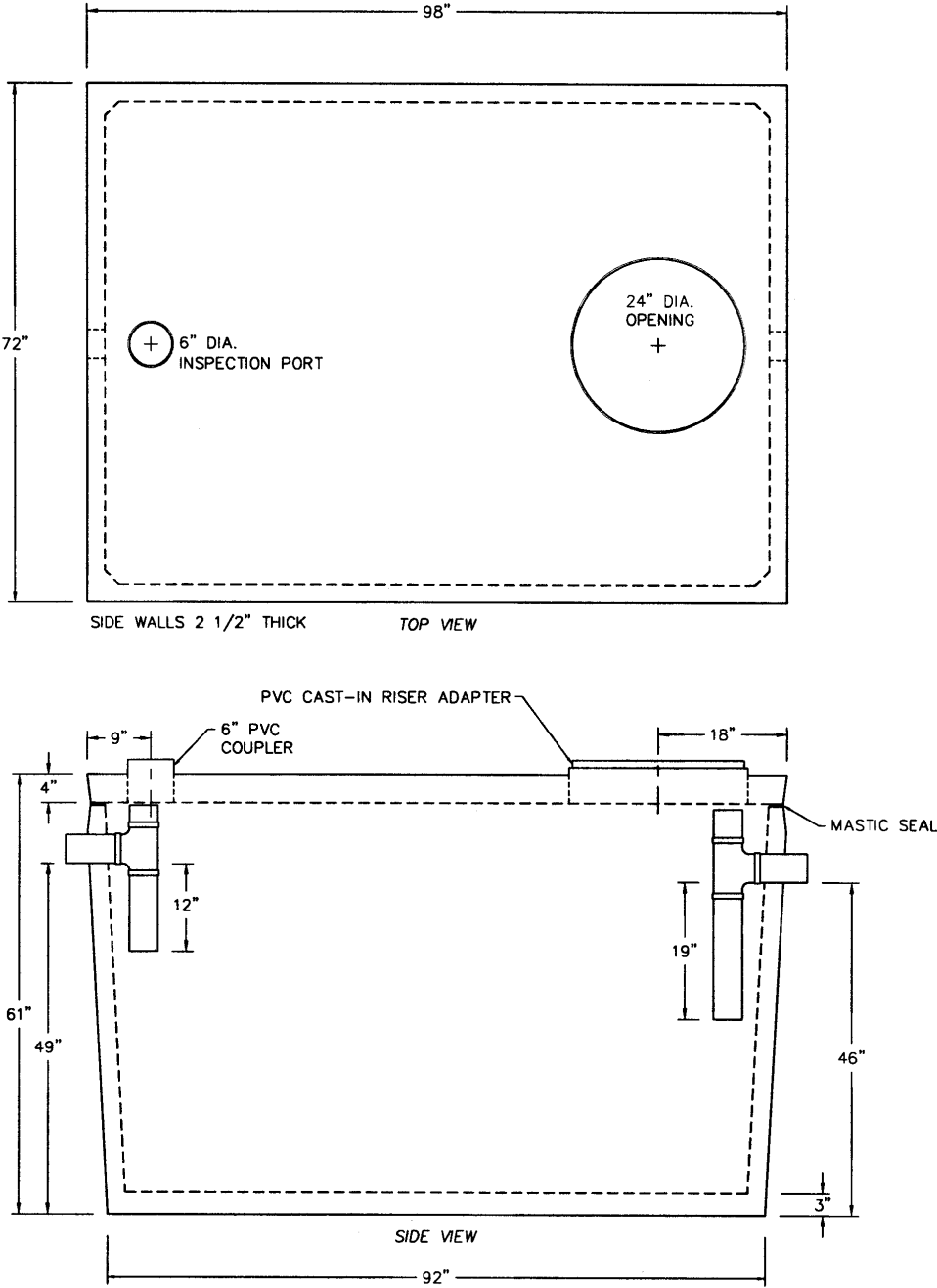
BZP - 1000 BRUZER 1000 GALLON SINGLE COMPARTMENT PUMP TANK



NOTE: TANK TOP FOR H2O TYPE IS 6" THICK

**NORTHWEST CASCADE / FLOHAWKS
SEPTIC TANKS**

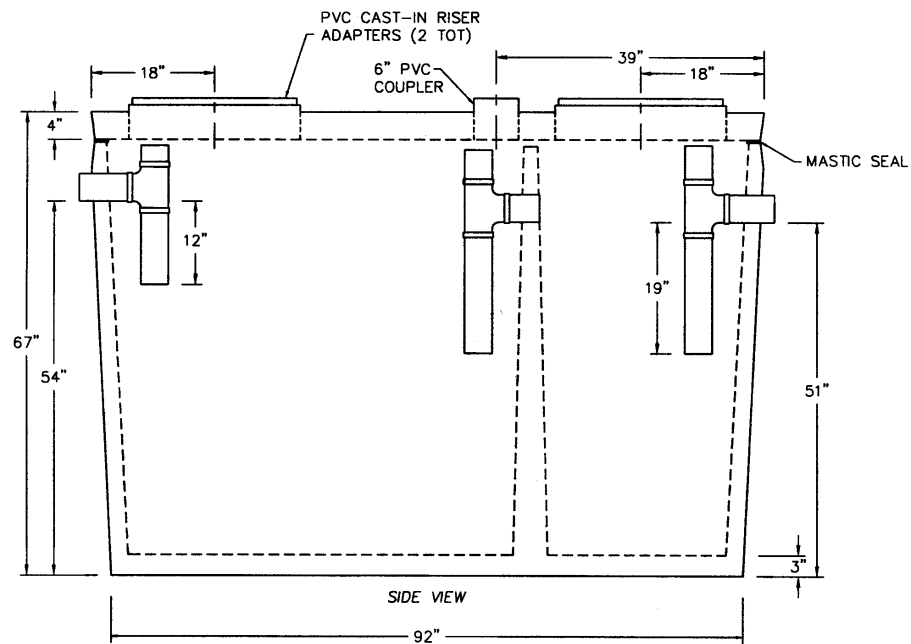
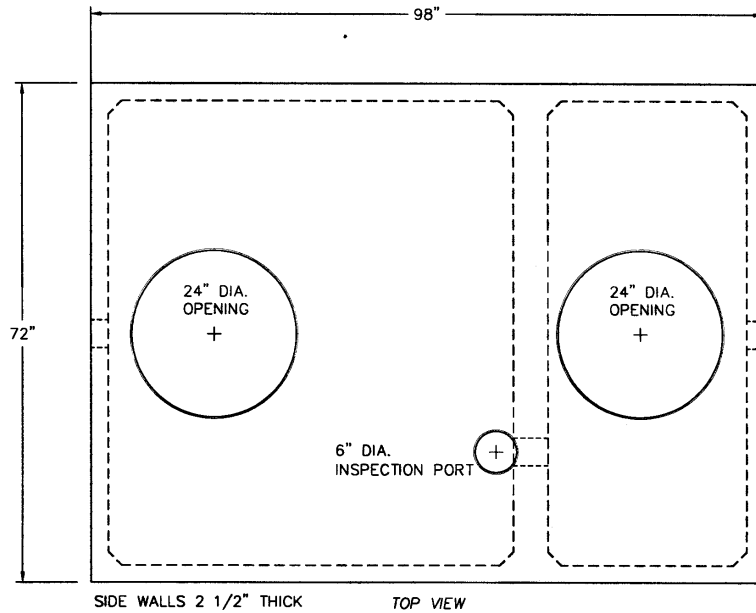
BZI - 1000 BRUZER 1000 GALLON SINGLE COMPARTMENT TANK



NOTE: TANK TOP FOR H2O TYPE IS 6" THICK

NORTHWEST CASCADE / FLOHAWKS SEPTIC TANKS

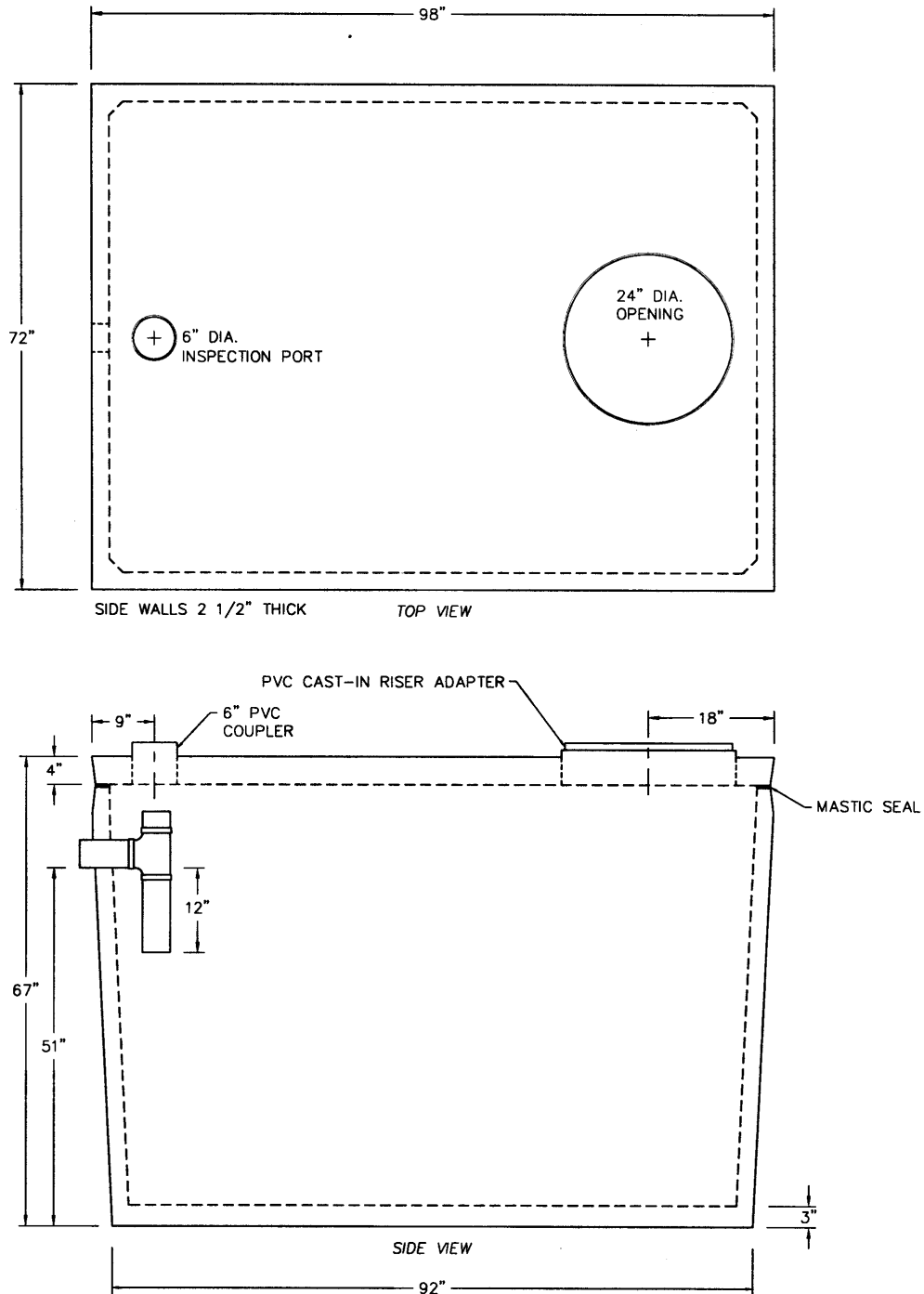
BZ2-1200 BRUZER 1200 GALLON TWO COMPARTMENT TANK



NOTE: TANK TOP FOR H2O TYPE IS 6" THICK

**NORTHWEST CASCADE / FLOHAWKS
SEPTIC TANKS**

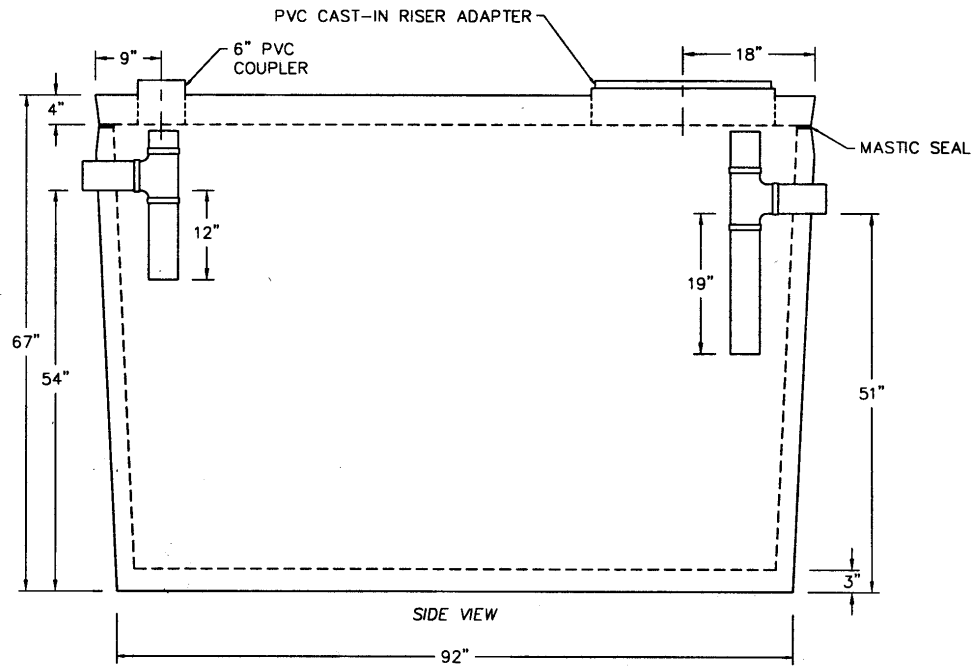
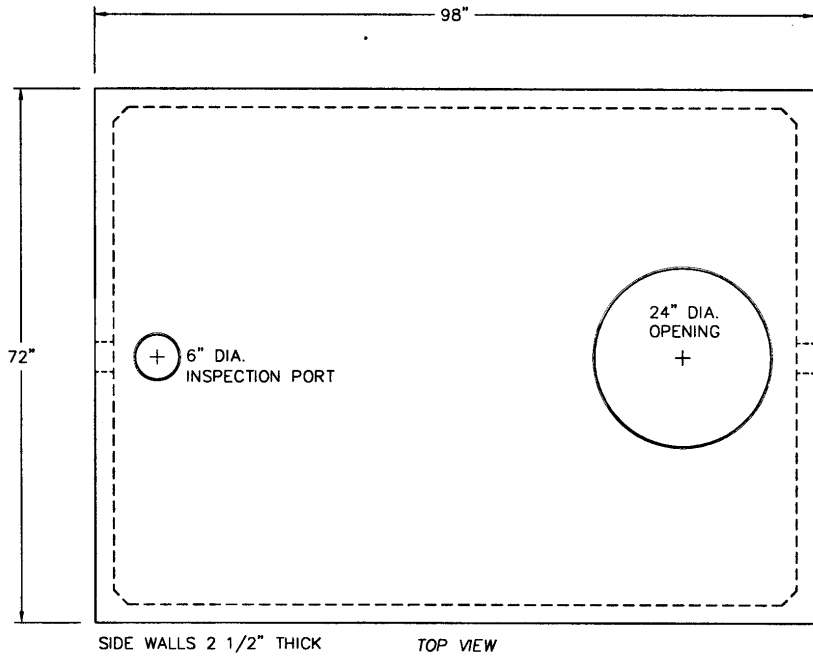
BZP-1200 BRUZER 1200 GALLON SINGLE COMPARTMENT PUMP TANK



NOTE: TANK TOP FOR H2O TYPE IS 6" THICK

NORTHWEST CASCADE / FLOHAWKS SEPTIC TANKS

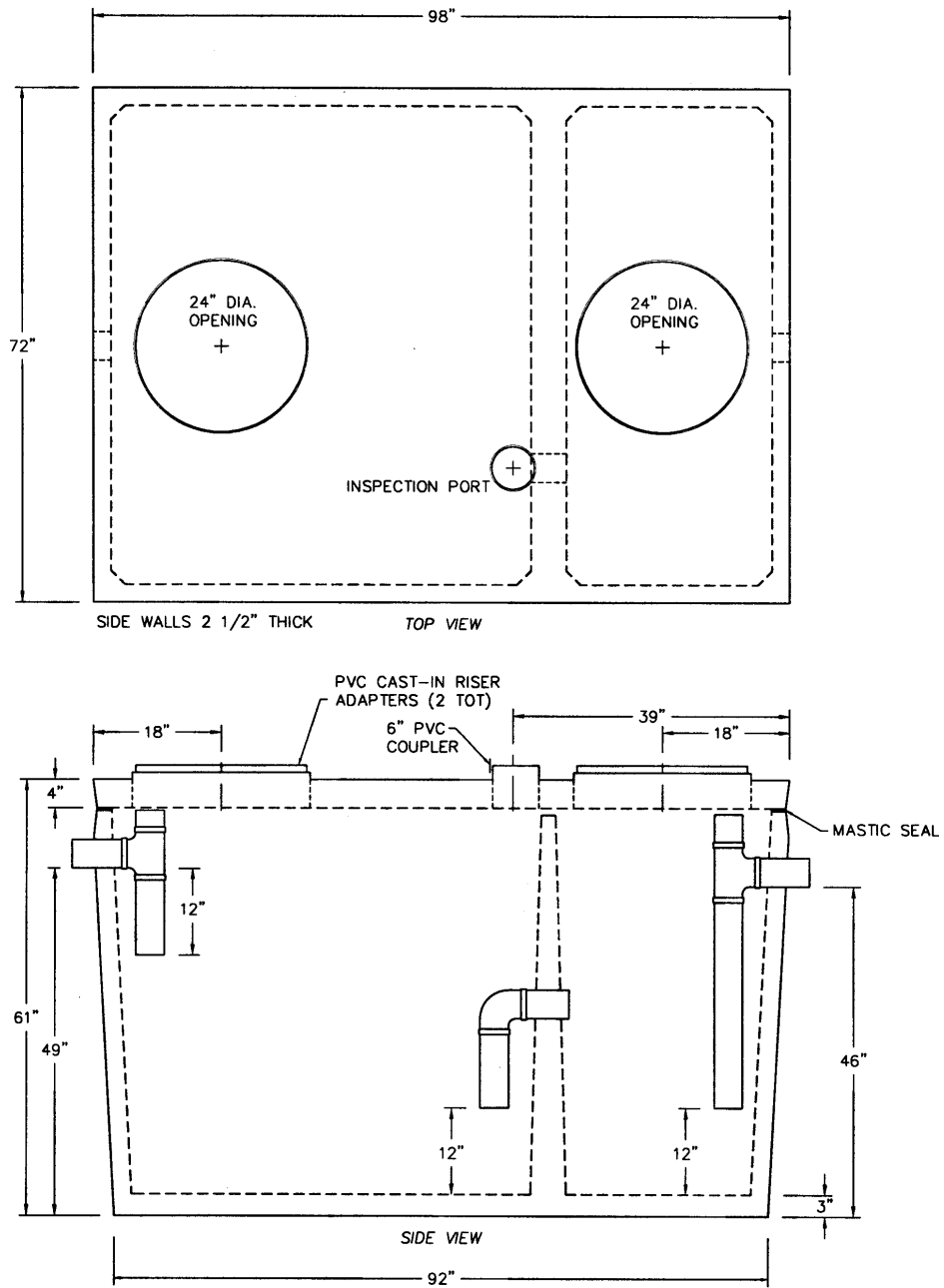
BZ1-1200 BRUZER 1200 GALLON SINGLE COMPARTMENT TANK



NOTE: TANK TOP FOR H2O TYPE IS 6" THICK

NORTHWEST CASCADE / FLOHAWKS SEPTIC TANKS

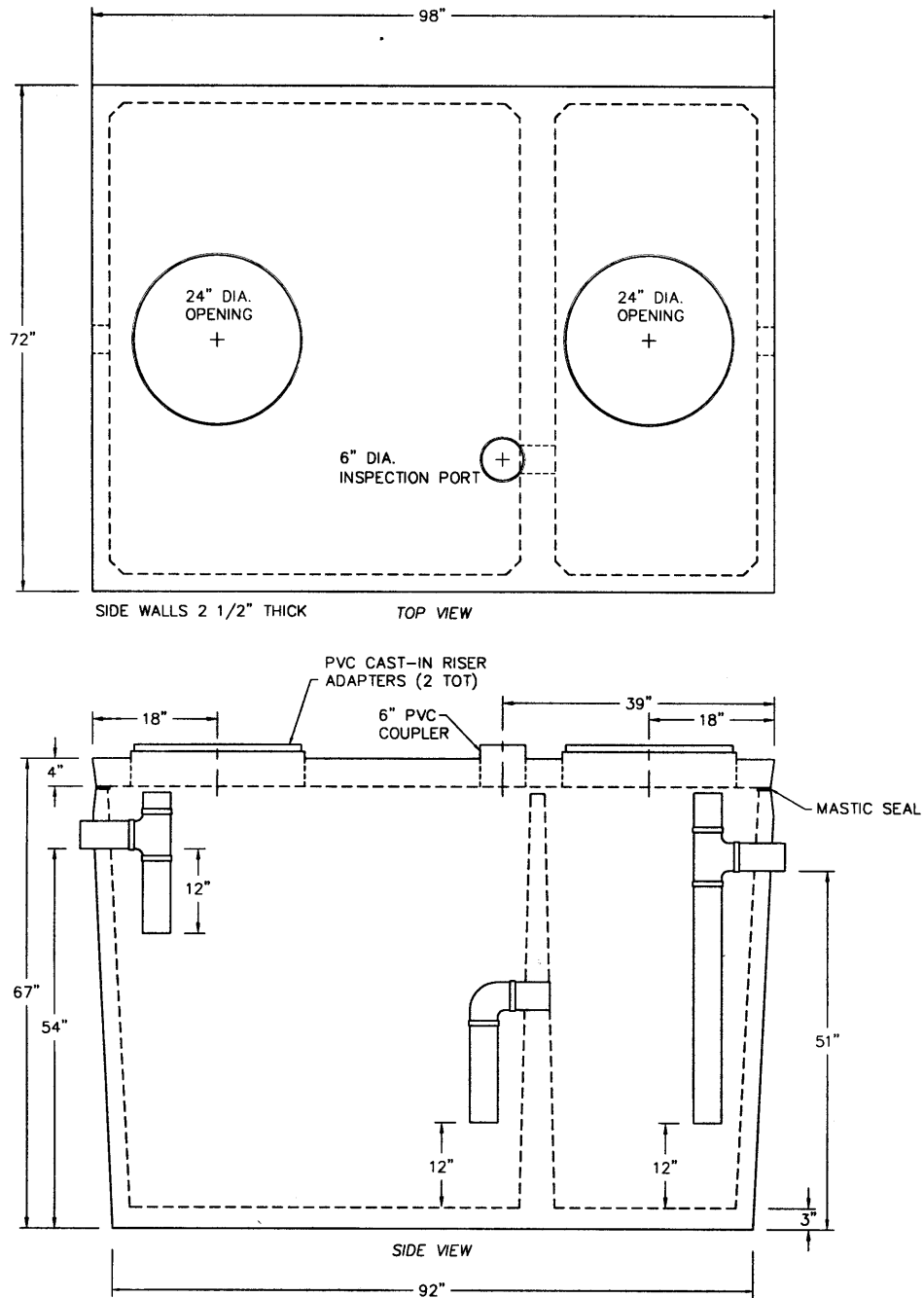
BZ2-1000GT BRUZER 1000 GALLON TWO COMPARTMENT- GREASE TRAP



NOTE: TANK TOP FOR H2O TYPE IS 6" THICK

NORTHWEST CASCADE / FLOHAWKS SEPTIC TANKS

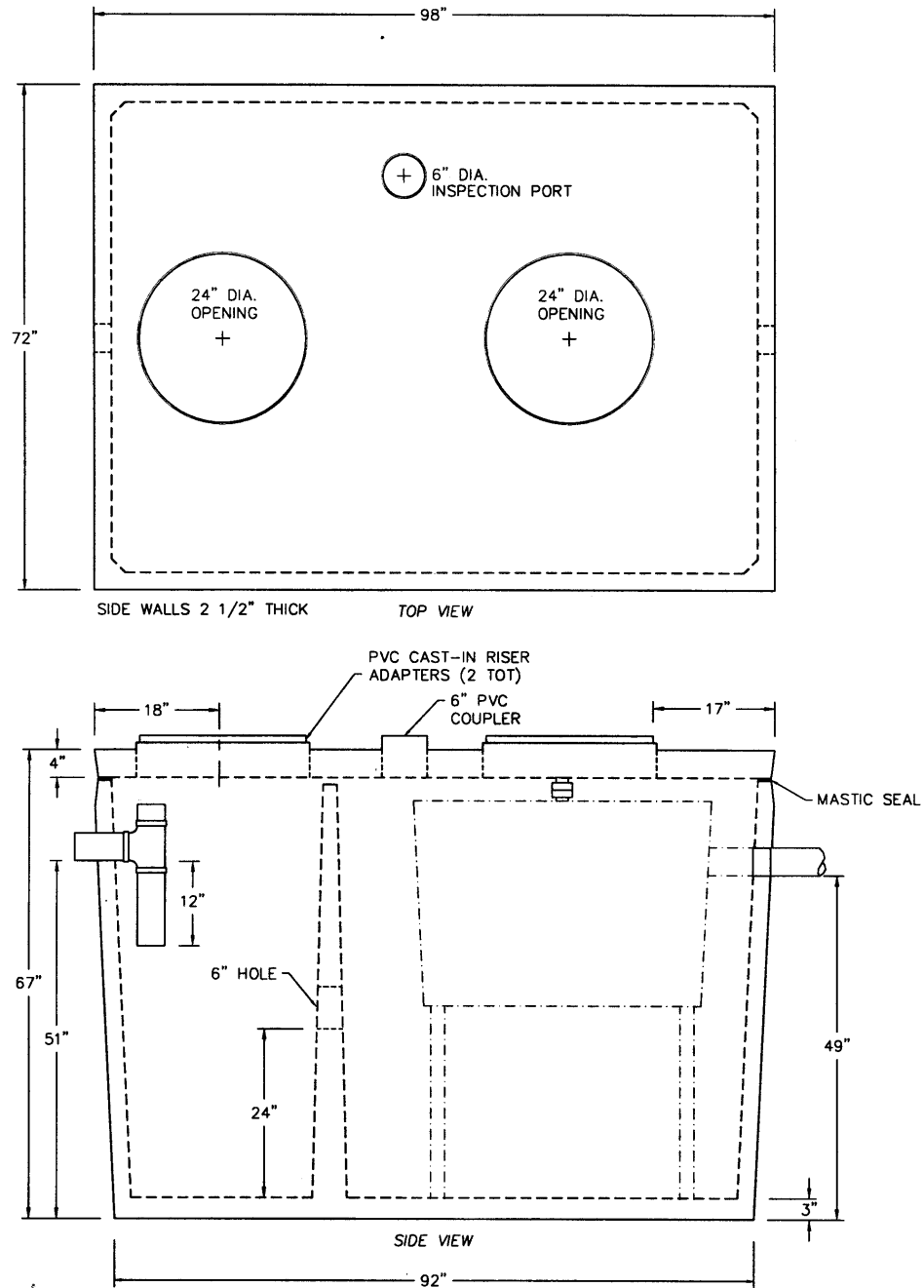
BZ2-1200GT BRUZER 1200 GALLON TWO COMPARTMENT - GREASE TRAP



NOTE: TANK TOP FOR H2O TYPE IS 6" THICK

NORTHWEST CASCADE / FLOHAWKS SEPTIC TANKS

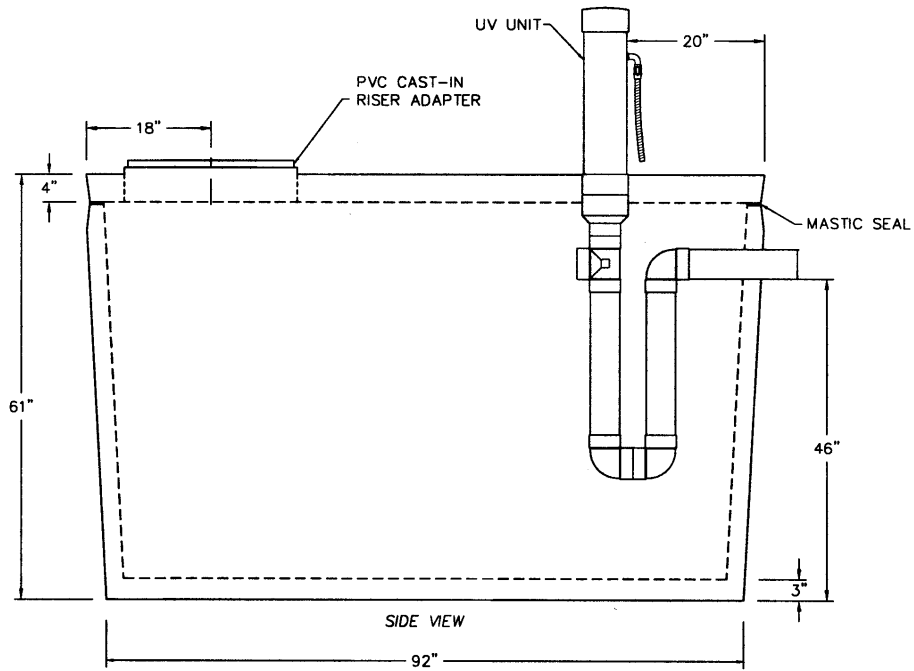
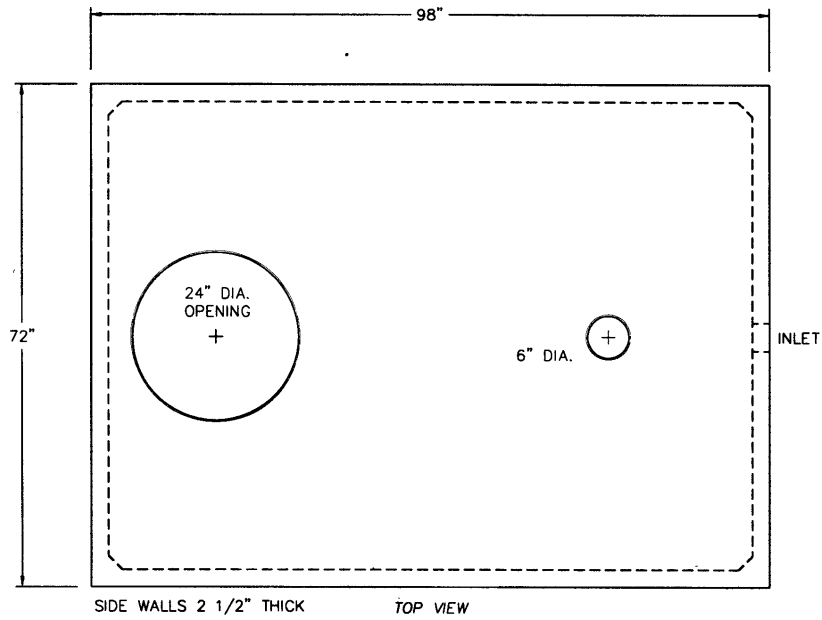
BZ2 - 1200F BRUZER 1200 GALLON TWO COMPARTMENT "FAST TANK" ONLY



NOTE: TANK TOP FOR H2O TYPE IS 6" THICK

**NORTHWEST CASCADE / FLOHAWKS
SEPTIC TANKS**

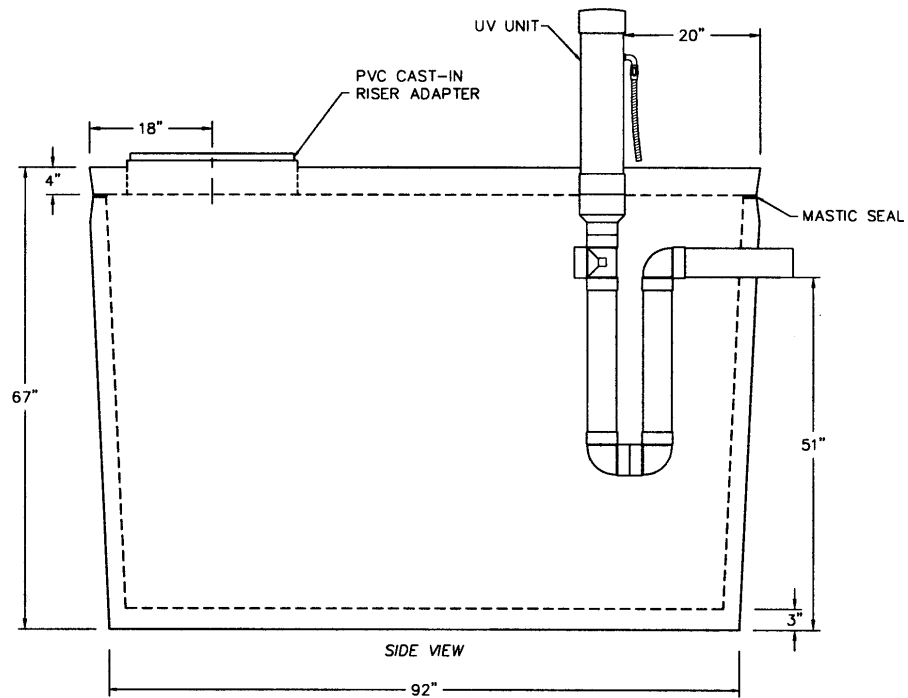
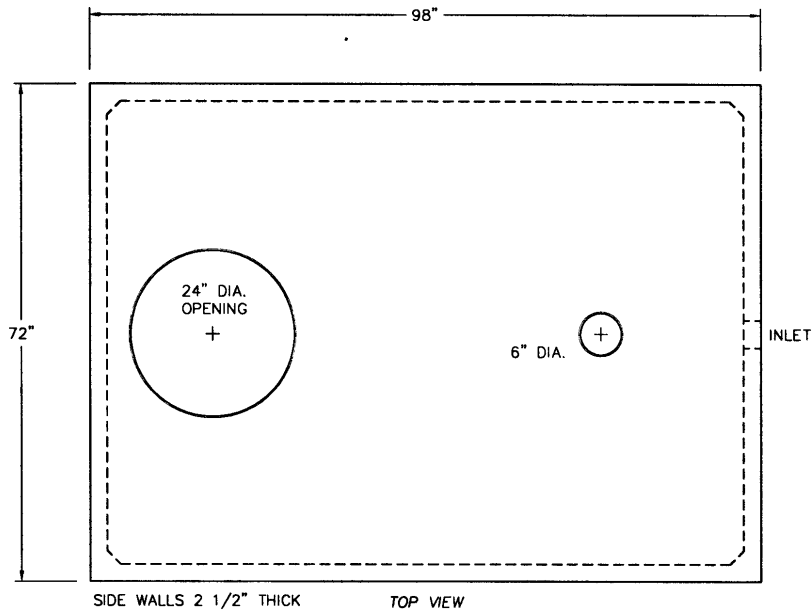
**BZP - 1000UV BRUZER 1000 GALLON ONE COMPARTMENT PUMP TANK
WITH UV LIGHT INSTALLED (MAY ALSO BE 1200 GALLON TANK... SEE NEXT PAGE)**



NOTE: PUMP TANK WITH UV LIGHT INSTALLED

NORTHWEST CASCADE / FLOHAWKS SEPTIC TANKS

BZP - 1200UV BRUZER 1200 GALLON ONE COMPARTMENT PUMP TANK WITH UV LIGHT INSTALLED

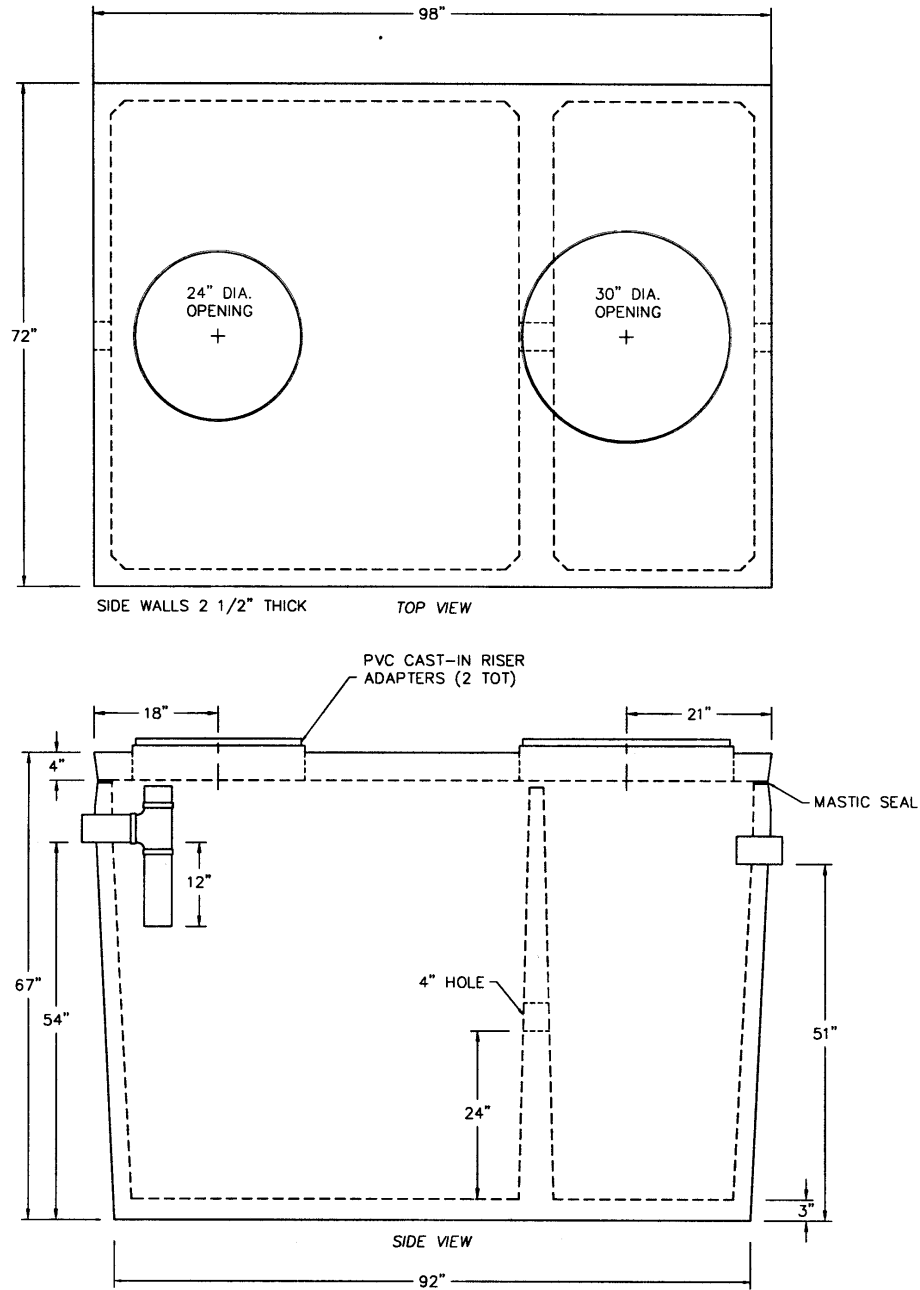


NOTE: PUMP TANK WITH UV LIGHT INSTALLED

13

**NORTHWEST CASCADE / FLOHAWKS
SEPTIC TANKS**

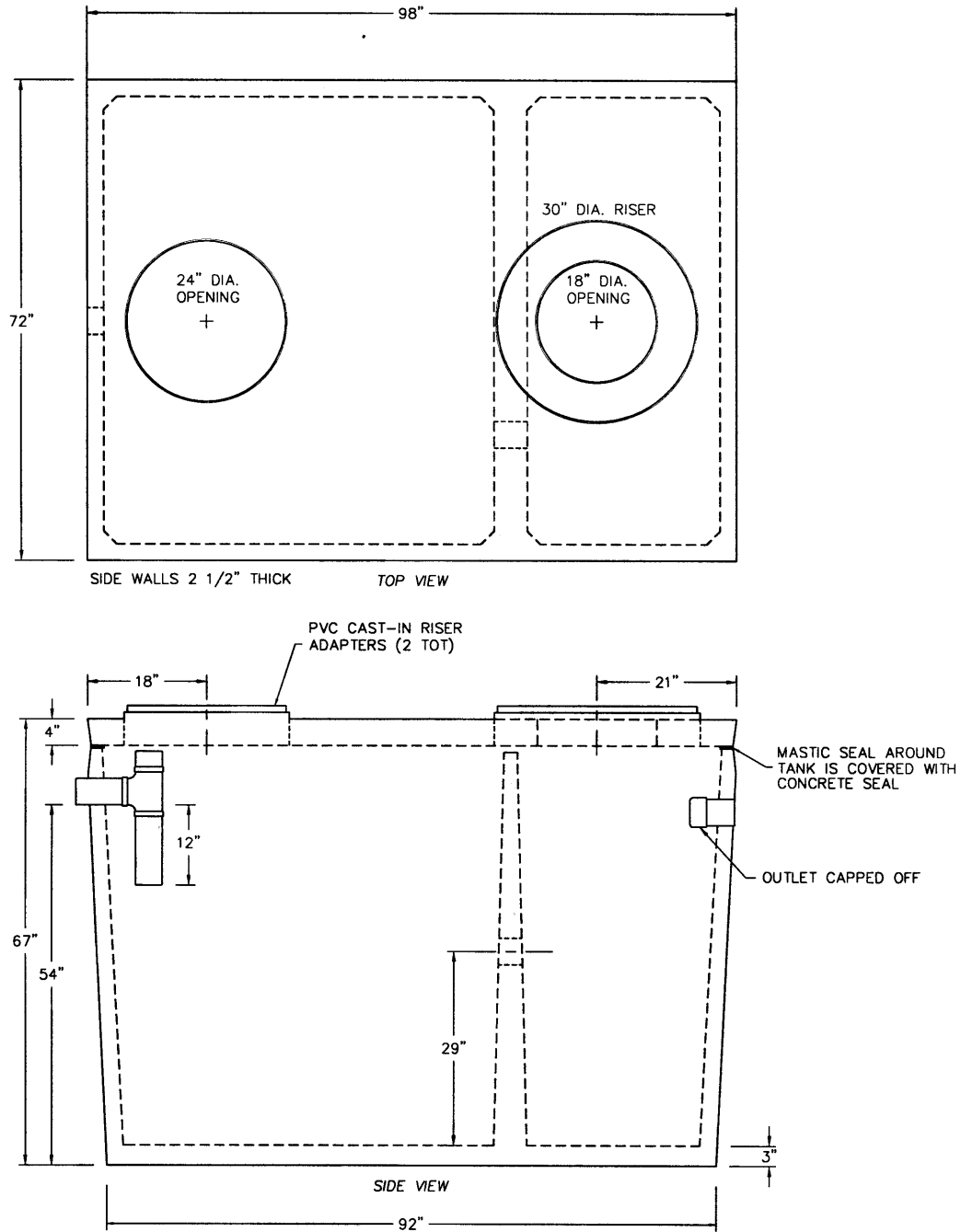
BZ2 - 1200N BRUZER 1200 GALLON TWO COMPARTMENT NIBBLER JR. TANK



NOTE: TANK TOP FOR H2O TYPE IS 6" THICK

NORTHWEST CASCADE / FLOHAWKS SEPTIC TANKS

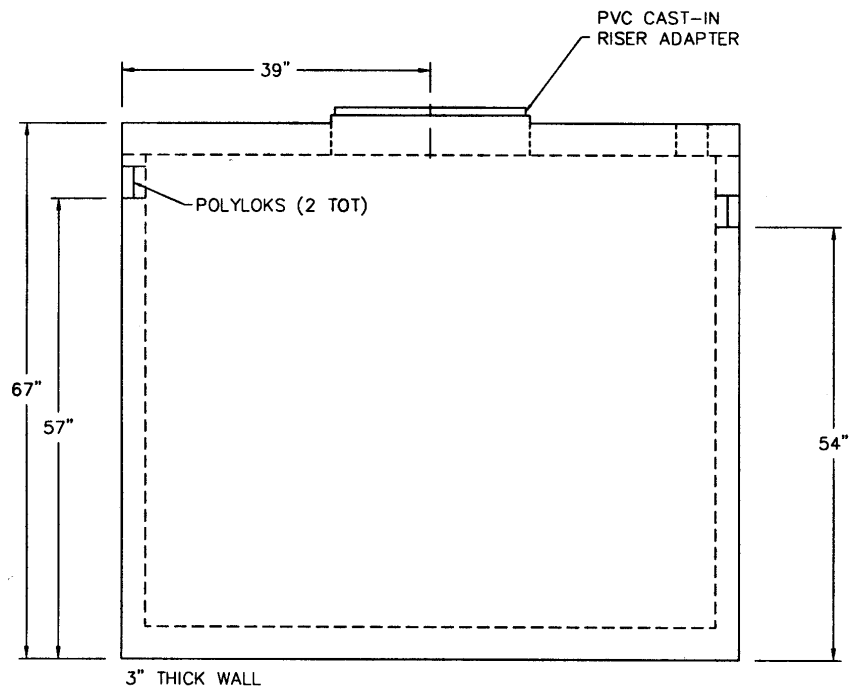
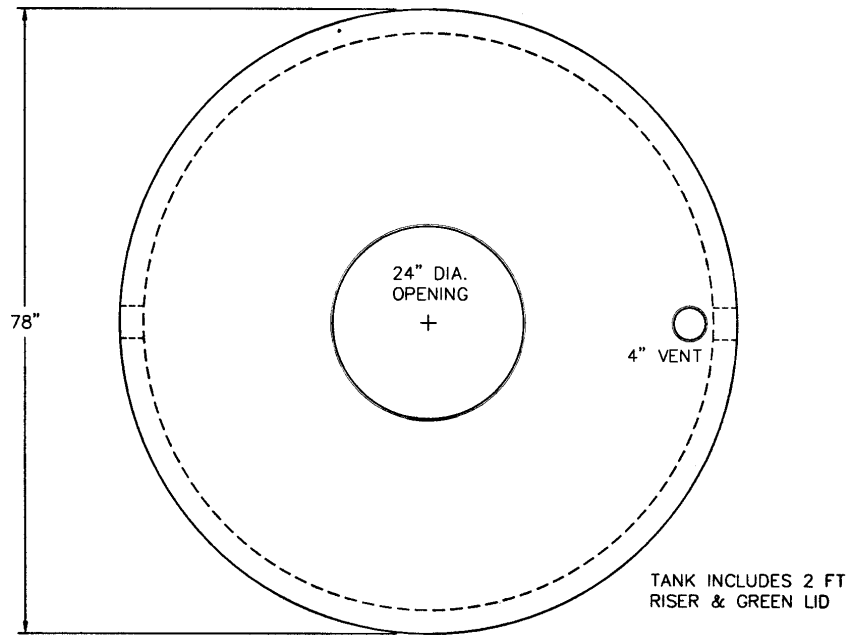
BZ2 - 1200YST BRUZER 1200 GALLON TWO COMPARTMENT YELM STEP TANK



NOTE: TANK TOP FOR H2O TYPE IS 6" THICK

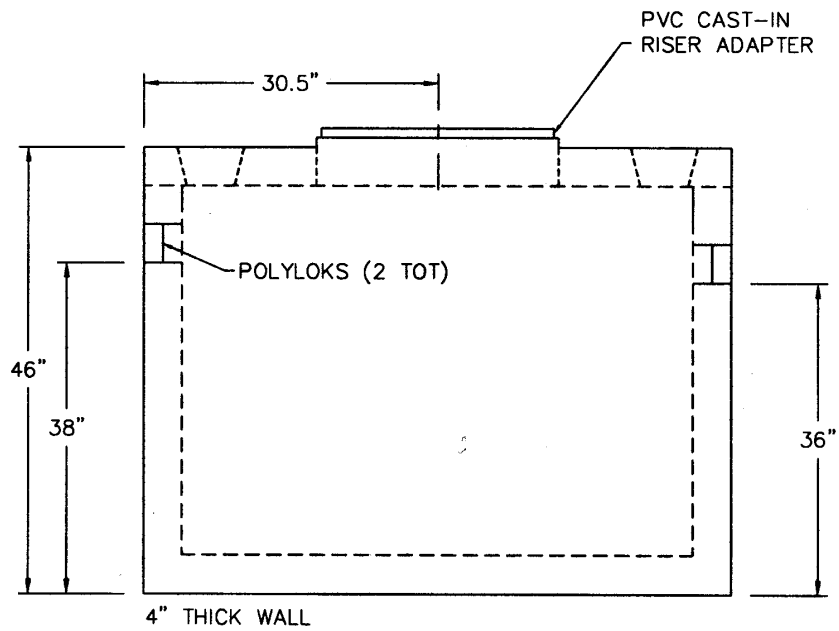
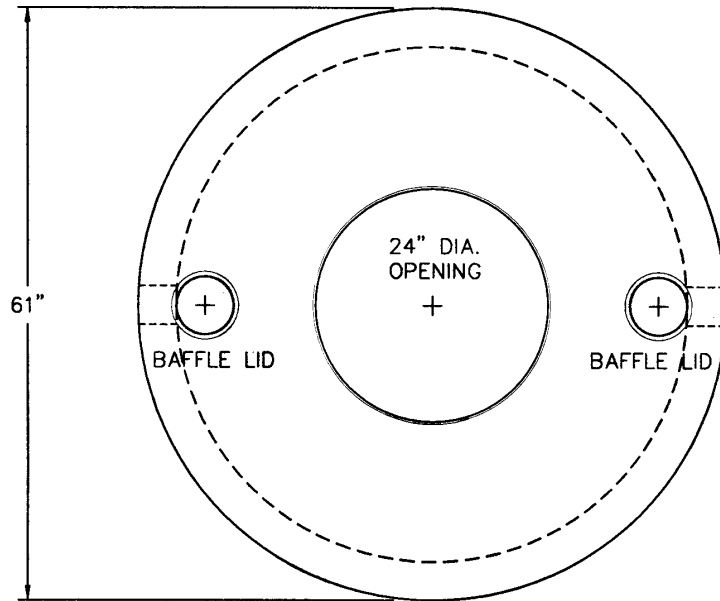
NORTHWEST CASCADE / FLOHAWKS SEPTIC TANKS

WW-500 CONCRETE 500 GALLON WHITEWATER TANK



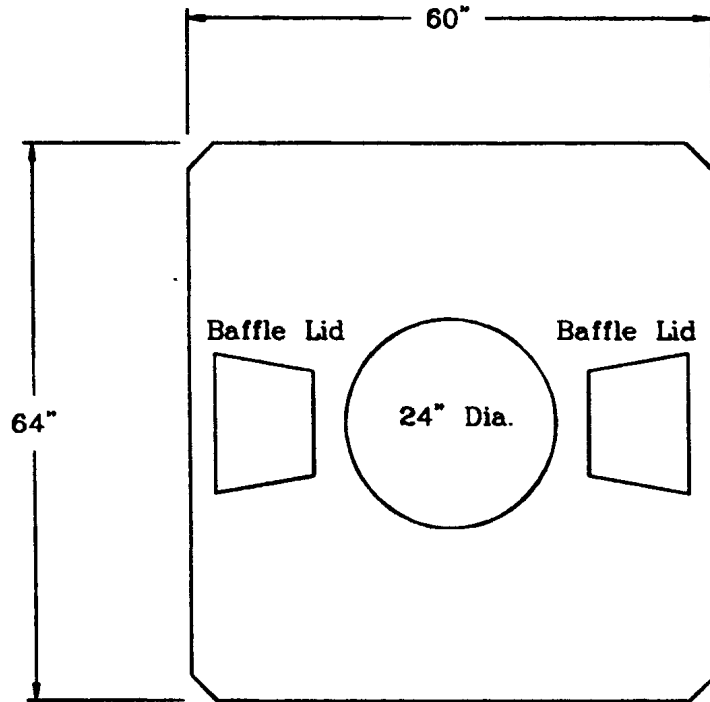
**NORTHWEST CASCADE / FLOHAWKS
SEPTIC TANKS**

CRZ1 - 380R CRUZER 380 GALLON SINGLE COMPARTMENT TANK

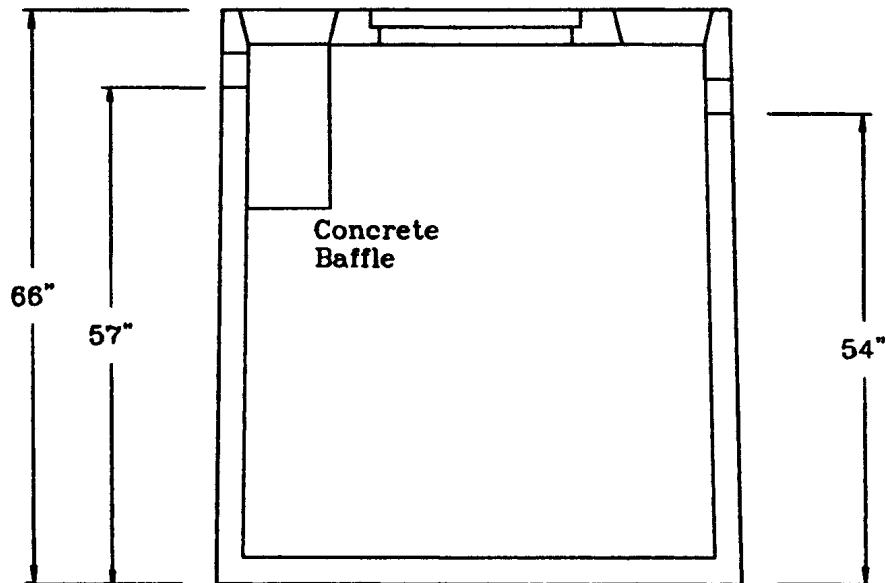


**NORTHWEST CASCADE / FLOHAWKS
SEPTIC TANKS**

STD1 - 750 STANDARD 750 GALLON SINGEL COMPARTMENT TANK

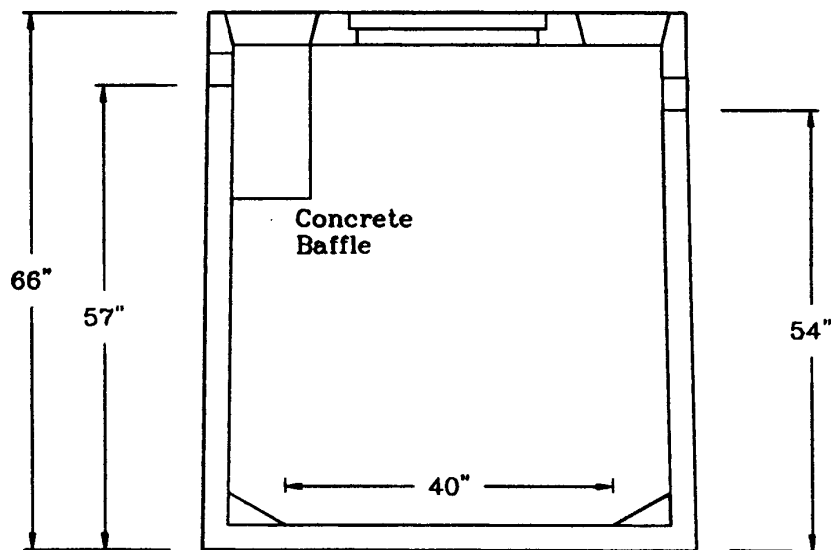
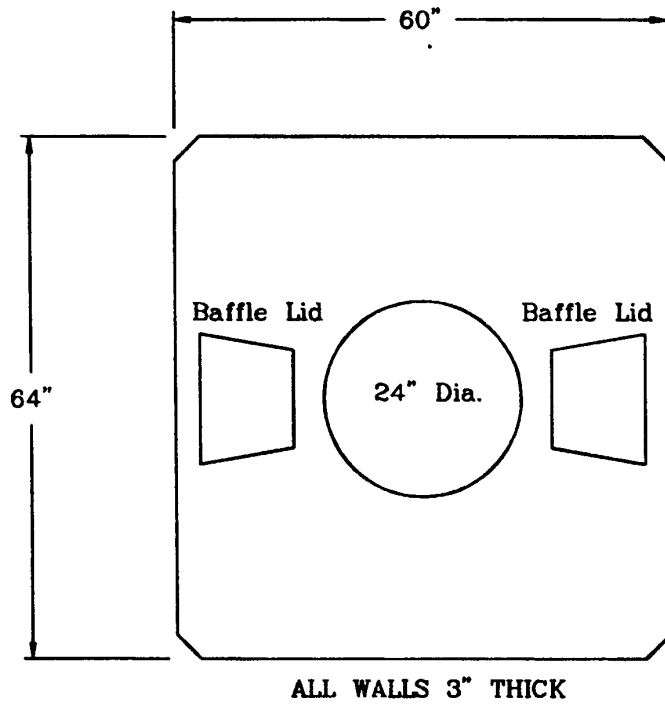


ALL WALLS 3" THICK



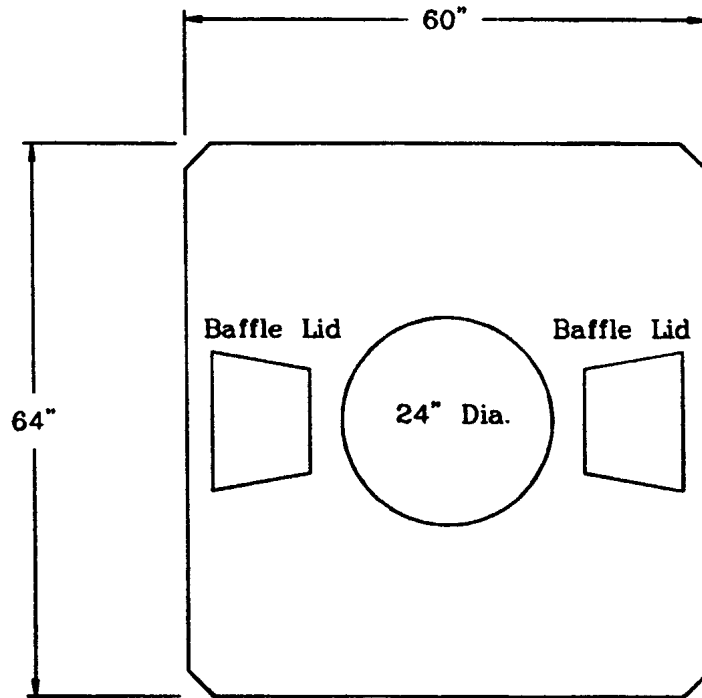
**NORTHWEST CASCADE / FLOHAWKS
SEPTIC TANKS**

STD1 - 750S STANDARD 750 GALLON SINGLE COMPARTMENT SLOPE BOTTOM



**NORTHWEST CASCADE / FLOHAWKS
SEPTIC TANKS**

STD1-750SC STANDARD 750 GALLON SINGLE COMPARTMENT SLOPE/COATED



ALL WALLS 3" THICK

